

ACCESSORY

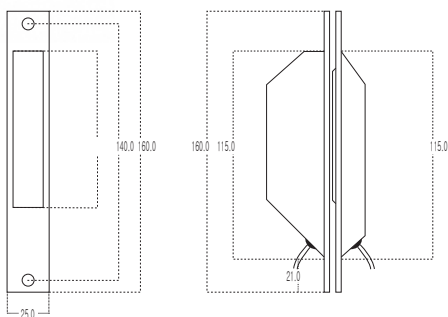
GL-PT Power Transfer Devices (Concealed type)



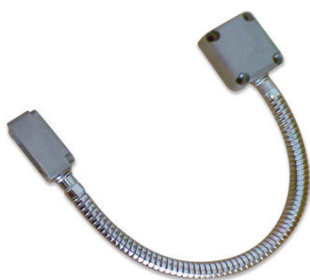
■ Specifications

- Concealed type offers excellent safety
- Lead wire : 6C/10C
- Stainless steel

■ Product image (front and side)



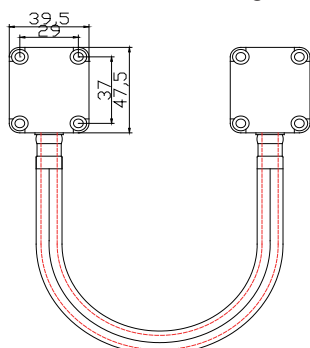
GL-FM Power transfer devices (revealed)



■ Specifications

- Revealed type, easy to install
- Can be used with deadbolt installed on the lower part of tempered glass
- Can be used with electric strike when installing fire door
- Length stretchable(option)

■ Product image



GR-100(FM type remote controller)

■ Specifications



Power supply	12DCV / 850m~1A
Recognition distance	within 300m/FM type
Emergency	within 300m/FM type
Size	57 x 82 x 18mm 29 x 68 x 11.6mm

■ Wiring

- RED – DC12V(+)
- BLACK – DC12V(-)
- White – Open contact
- Orange – Open contact

GR-200 (FM type remote controller)

■ Specifications



Power supply	12DCV / 850m~1A
Recognition distance	within 100m / FM type
Emergency	automatically closed after a few sec
Size	60 x 29 x 24.5mm 33 x 54 x 12.5mm

■ Wiring

- RED – DC12V(+)
- BLACK – DC12V(-)
- Green – Open contact
- Orange – Open contact

GR-300 (AM type remote controller)

■ Specifications



Power supply	12DCV / 850m~1A
Recognition distance	within 50m/AM type
Emergency	automatically closed after a few sec
Size	65 x 95 x 30mm 33 x 54 x 12.5mm

■ Wiring

- RED – DC12V(+)
- BLACK – DC12V(-)
- White – Open contact
- Orange – Open contact