

ELECTROMAGNETIC LOCK

GE-5000

Product synopsis

GE-5000 is a locking device that consists of an electromagnet and an armature plate. It is used for one way door such as fire door, glass door, and timber doors

GE-5000



Specifications

Item		Spec
12 DCV	Voltage/Current	12DCV/500mA
	Allowable range	9~14.4DCV
24 DCV	Current draw	24DCV/280mA
	Allowable range	19~28.8DCV
Locking Monitoring S/W		Blue COM, Green NO, Purple NC (Lock closed NC) (Lock open NO)

Dimensions

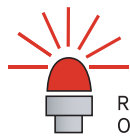
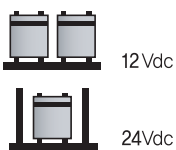


Red: Power input(+)
Black: Power input(-)
NO, NC, COM

How to change from 12VDC to 24VDC

12, 24 DCV

Power Status LED



RED : Power Input
Off : No Power

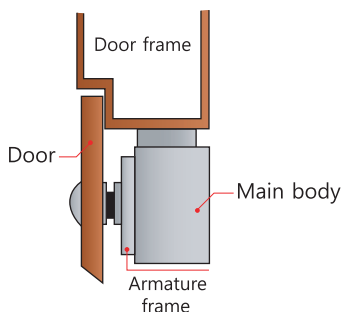
Main features

- Holding force : 600kg(1320lbs)
- Door monitoring (Magnet switch) – COM, NO, NC

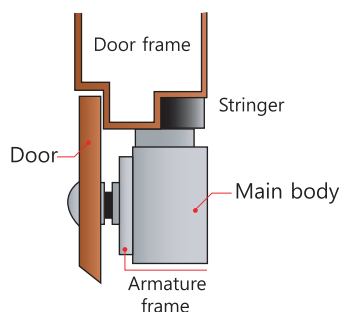
Size & Weight

- Magnet : (L)266, (W)73, (D)40mm
- Armature Plate : (L)190, (W)38, (D)11mm
- Mounting Plate : (L)266, (W)40, (D)6mm
- Weight : 1955g

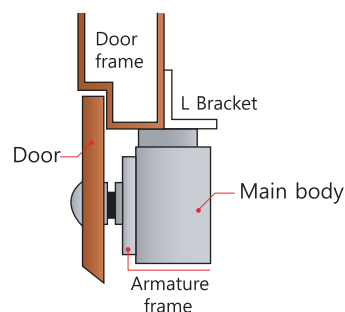
How to install



Basic installation



Back up plate installation



" L " Bracket installation

