

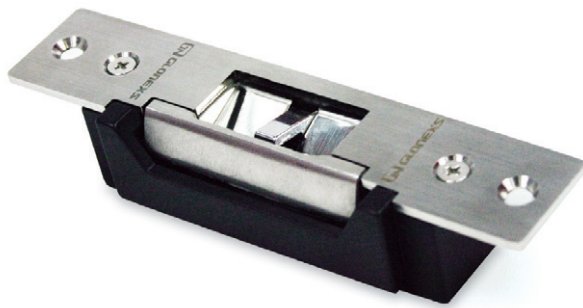
ELECTRIC STRIKE

GS-1000

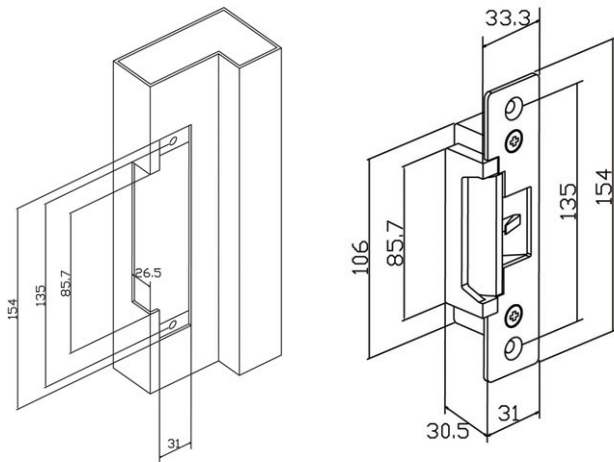
Product synopsis

Electric strike is an access control device used for doors. GS-1000 electric strikes are high security products manufactured from stainless steel and designed for use with all access control systems. These strikes are flexible and can be changed from fail safe to fail secure.

GS-1000



■ Dimensions



■ Size & Weight

- Size : 154(L)x 31(W)x 30.5(D)mm
- Weight : 383g

■ Specifications

Item	Spec
Voltage/Current	12 VDC/220mA
Door monitoring switch	COM, NO, NC
Locking monitoring S/W	COM, NO, NC(Optional)

■ Main Features

- Fail safe and fail secure (changeable on site)
- Door monitoring system (COM, NO, NC)
- Easy to install
- Low voltage consumption (able to run from DC7V)
- Holding force : 800kg (1764lbs)
- Stainless steel

■ Wiring

Item		Section
Solenoid	Power supply	Black(-), White(+)
Door monitoring	N.C	Blue
	N.O	Orange
	COM	Gray
Strike monitoring	N.C	Purple
	N.O	Green
	COM	Brown