

# ELECTRIC STRIKE

# GS-3000

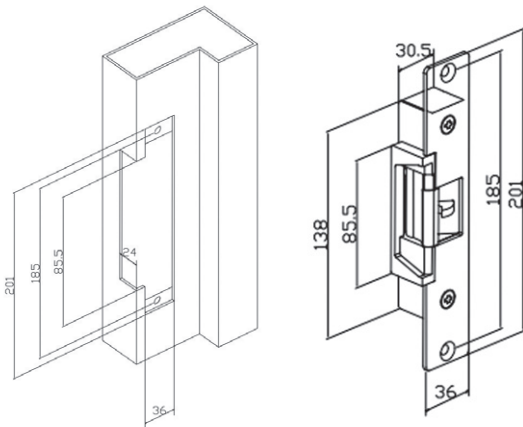
## Product synopsis

GS-3000 can provide a strong security with the holding force of 1200kg. The door is perfectly monitored with the use of GS-3000. (COM, NO, NC) It is available in 12VDC.

## GS-3000



### ■ Dimensions



### ■ Power to lock / Power to open

Fail Safe(Power to lock)



A factory setting is power to open

Fail Secure(Power to open)



Unscrew the solenoid connection, turn over like a red circle

### ■ Specifications

Item	Spec
Voltage / Current	12/24VDC, 180mA
Door Monitoring	COM, NO, NC
(Locking monitoring S/W)	COM, NO, NC

### ■ Functions

- Fail safe / Fail secure  
Changeable on-site
- Dual Monitoring
- GS-3000 has both solenoid and latch/door monitoring  
solenoid Monitor-3amp NO/NC microswitch  
door/latch monitor -3 amps NO/NC microswitch
- Holding force  
1200Kg
- material  
Stainless Steel Body

### ■ Size & Weight

- Size : 176(L)x 29(W)x 24(D)mm
- Weight : 479g

### ■ wiring

ITEM		Section
solenoid	DC12V	Red, Black
	N.C	Yellow
	N.O	Brown
Door Monitoring	COM	Purple
	N.C	White
Strike (Solenoid Monitoring)	N.O	Gray
	COM	Orange