

ELECTRIC STRIKE

GS-AST

Product synopsis

GS-AST unlocks when power is removed. It can be used together with Mortise Lock, Tubular Latch, Cylindrical Latch, and GS-AD.

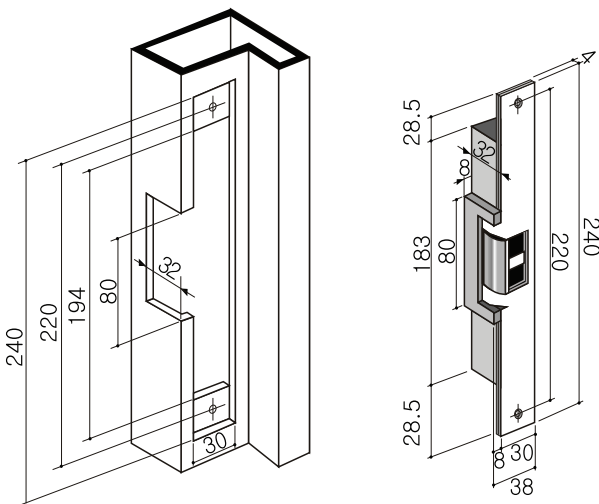
It can be used for 365 ATM booth when it is installed with GN-AD.

The strike is capable of operating with up to 25kg of pre-load pressure applied to the keeper.

GS-AST



■ Dimensions



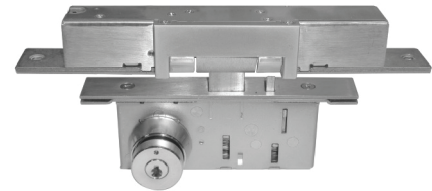
■ Specifications

Item	Spec
Voltage/current	12/24VDC, 550mA/350mA
Door monitoring switch	COM, NO
Locking monitoring S/W	COM, NO, NC

■ Main features

- Fail safe type
- Door monitoring system(COM, NO, NC)
- DC12/24V (Dual voltage)
- Holding force - 1000kg
- can be used for ATM booth when it is with GN-AD
- Ability to operate with up to 25kg of pre-load pressure on the keeper

A picture of GN-AD installed



■ Wiring

Item	Spec	
Solenoid	Power supply	DC 12V, (Red), (White) DC 24V, (Red), (Black)
	Door monitoring	COM Orange N.O Gray N.C Purple
strike monitoring	N.O	Green
	COM	Yellow